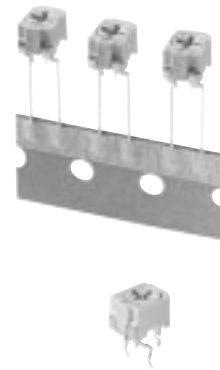


6 mm Square Dustproof Ceramic Trimmer Potentiometers
(Cermet, Radial Taping, with Knob Protection)



Type: **EVMEAS/EVMEES**
(Radial Taping)
EVMEAG/EVMEEG
(Bulk)

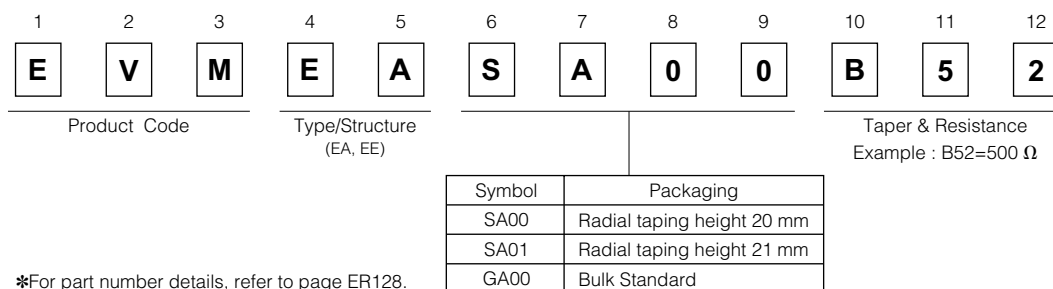
■ Features

- High reliability due to cermet element
- No readjustment needed through knob protected structure
- Excellent mounting efficiency due to cubic shape
- Automated adjustment available
Face side: Standard cross slot screwdriver suited to automatic adjustment applicable
Back side: Penetrated slot for easy driving
- Conforms to JIS C5260-1:1999

■ Recommended Applications

- Audio/visual, office, and communication equipment
- General electronic equipment

■ Explanation of Part Numbers



■ Specifications

	EVME□	EVMEE□ (Low Resistor Value)
Total Resistance Value	100 Ω to 1 MΩ	10 Ω to 500 Ω
Resistance Tolerance	±25 %	
Power Rating	0.3 W	0.5 W
Maximum Operating Voltage	100 V	$\sqrt{P \cdot R}$
Rotation Torque	2 to 30 mN·m	
Stopper Strength	50 mN·m min.	
Temperature Coefficient of Resistance	$\pm 200 \times 10^{-6}/^{\circ}\text{C}$	<ul style="list-style-type: none"> · $10 \Omega \leq R \leq 20 \Omega$ $\pm 200 \times 10^{-6}/^{\circ}\text{C}$ · $20 \Omega < R \leq 200 \Omega$ $\pm 150 \times 10^{-6}/^{\circ}\text{C}$ · $200 \Omega < R \leq 500 \Omega$ $\pm 100 \times 10^{-6}/^{\circ}\text{C}$

■ Minimum Quantity/Packing Unit

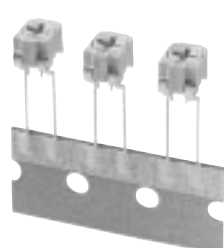
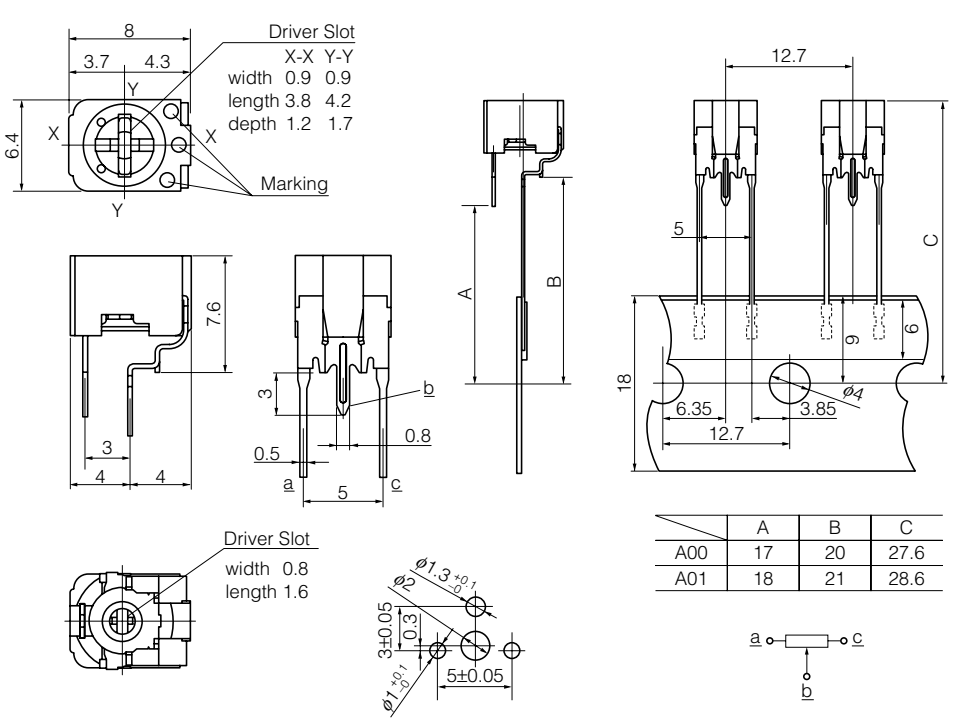
Part Number	Radial taping		Bulk	
	Quantity per Box	Packaging quantity	Quantity per pack	Packaging quantity
EVMEAS EVMEES	1000	10000	—	—
EVMEAG	—	—	200	2000
EVMEEG	—	—	1000	3000

■ Dimensions in mm (not to scale)

● Radial tapering

● 3-terminal, Top-adjust, Cross/Ordinary Slots..... EVMEAS/EVMEES

No. 1

Driver Slot
X-X Y-Y
width 0.9 0.9
length 3.8 4.2
depth 1.2 1.7

Marking

7.6

3 4 4

3 0.5 0.8 5 c

A B

12.7

5 6 C

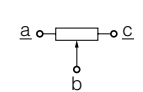
18 6.35 12.7 3.85 $\phi 4$

	A	B	C
A00	17	20	27.6
A01	18	21	28.6

Driver Slot
width 0.8
length 1.6

$\phi 1.3^{+0.1}_{-0}$
 $\phi 2$
 3 ± 0.05
10.3
 5 ± 0.05

(Recommended PWB Piercing Plan)




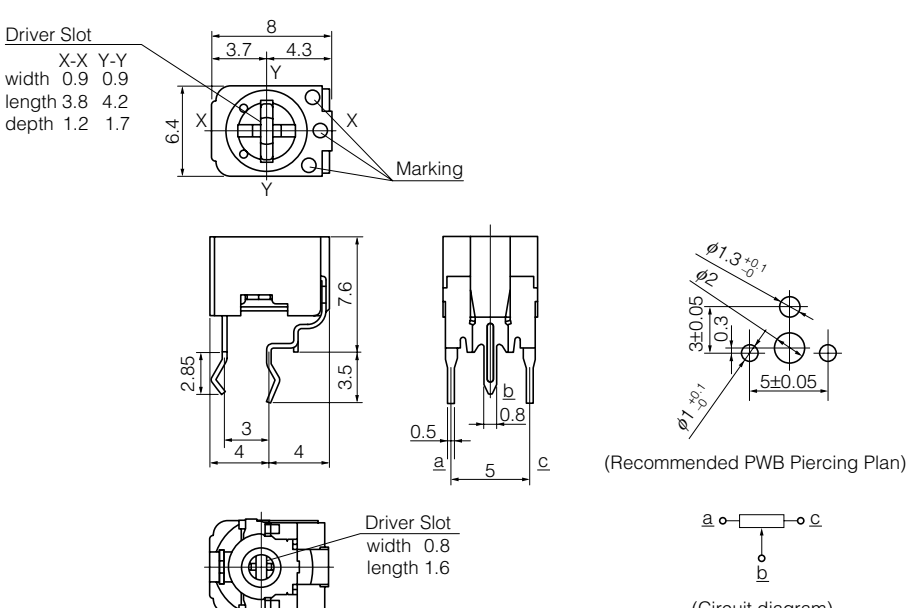
(Circuit diagram)

Mass (Weight) : 590 mg/pc.

● Bulk

● 3-terminal, Top-adjust, Cross/Ordinary Slots..... EVMEAG/EVMEEG

No. 2

Driver Slot
X-X Y-Y
width 0.9 0.9
length 3.8 4.2
depth 1.2 1.7

Marking

7.6

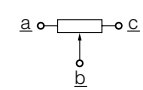
2.85 3 3.5 4 4

0.5 0.8 5 c

a b

$\phi 1.3^{+0.1}_{-0}$
 $\phi 2$
 3 ± 0.05
10.3
 5 ± 0.05

(Recommended PWB Piercing Plan)



(Circuit diagram)

Driver Slot
width 0.8
length 1.6

Mass (Weight) : 590 mg/pc.

■ Explanation of Part Numbers

